

**SJV-Series Miter Gearbox information**

1. Models: SJV90, SJV110, SJV140, SJV170, SJV210, SJV240, SJV280.

2. Gearing Type: Spiral Bevel Gear

3. Gear Ratio: 1:1, 1.5:1, 2:1, 3:1, 4:1, 5:1

4. Efficiency: 95%-98%

8. Drive Shaft: 2 way, 3 way, 4 way

9. Noise Level: less than 80dB

10. Temperature Level: less than 50 °C

11. Work Temperature: -20°C~+80°C

12. Rotate Direction: clockwise, anti-clockwise

**SJV-Series Miter Gearbox Picture:**



**SJV90 Miter Gearbox Specifications:**

<b>Gear Ratio</b>	<b>Input speed( rpm)</b>	<b>Output speed( rpm )</b>	<b>Power (KW )</b>	<b>Torque (N.m )</b>	<b>Weight (kg )</b>
1:1	1500	1500	6	38.2	6
	1000	1000	4.3	41.07	
	750	750	3.4	43.29	
1.5:1	1500	1000	4.3	41.07	
	1000	667	3.05	43.67	
	750	500	2.3	43.97	
2:1	1500	750	3.35	42.66	
	1000	500	2.35	44.89	
	750	375	1.8	45.84	
3:1	1500	500	2.2	42.02	
	1000	333	1.5	43.02	
	750	250	1.2	45.84	
4:1	1500	375	1.65	42.02	
	1000	250	1.15	43.93	
	750	188	0.87	44.19	
5:1	1500	300	1.1	35.02	
	1000	200	0.75	35.81	
	750	150	0.58	36.93	

**SJV110 Miter Gearbox Specifications:**

<b>Gear Ratio</b>	<b>Input speed( rpm)</b>	<b>Output speed( rpm )</b>	<b>Power (KW )</b>	<b>Torque (N.m )</b>	<b>Weight (kg )</b>
1:1	1500	1500	11	70	10
	1000	1000	7.87	75	
	750	750	6.15	78.3	
1.5:1	1500	1000	7.75	74	
	1000	667	5.45	78.1	
	750	500	4.25	81.2	
2:1	1500	750	6.3	80.2	
	1000	500	4.45	85	
	750	375	3.45	87.9	
3:1	1500	500	4.45	85	
	1000	333	3.1	88.8	
	750	250	2.4	91.7	
4:1	1500	375	2.9	73.9	
	1000	250	2	76.4	
	750	188	1.55	78.9	
5:1	1500	300	2.35	74.8	
	1000	200	1.6	76.4	
	750	150	1.25	79.6	

**SJV140 Miter Gearbox Specifications:**

<b>Gear Ratio</b>	<b>Input speed( rpm)</b>	<b>Output speed( rpm )</b>	<b>Power (KW )</b>	<b>Torque (N.m )</b>	<b>Weight (kg )</b>
1:1	1500	1500	23.9	152.2	
	1000	1000	17.2	164.3	
	750	750	13.4	170.6	

1.5:1	1500	1000	13.5	128.9	<b>20</b>
	1000	667	9.7	139	
	750	500	7.6	145.2	
2:1	1500	750	11.1	141.3	
	1000	500	7.85	149.9	
	750	375	6.2	157.9	
3:1	1500	500	7.95	151.8	
	1000	333	5.6	160.4	
	750	250	4.4	168.1	
4:1	1500	375	5.3	135	
	1000	250	3.75	143.3	
	750	188	2.95	150.3	
5:1	1500	300	3.95	125.7	
	1000	200	2.75	131.3	
	750	150	2.1	133.7	

### SJV170 Miter Gearbox Specifications:

Gear Ratio	Input speed( rpm)	Output speed( rpm )	Power (KW )	Torque (N.m )	Weight (kg )
1:1	1500	1500	39.3	250.2	<b>32</b>
	1000	1000	28.8	275	
	750	750	22.8	290.3	
1.5:1	1500	1000	27.2	259.8	
	1000	667	19.6	280.8	
	750	500	15.5	296.1	
2:1	1500	750	20.8	264.9	
	1000	500	14.9	284.6	
	750	375	11.6	295.4	
3:1	1500	500	14.4	275	
	1000	333	10.1	289.4	
	750	250	7.8	298	
4:1	1500	375	8.4	213.9	
	1000	250	5.9	225.4	
	750	188	4.55	231.7	
5:1	1500	300	6.45	205.3	
	1000	200	4.5	214.9	
	750	150	3.45	219.7	

### SJV210 Miter Gearbox Specifications:

Gear Ratio	Input speed( rpm)	Output speed( rpm )	Power (KW )	Torque (N.m )	Weight (kg )
1:1	1500	1500	67.5	429.8	<b>60</b>
	1000	1000	50.5	482.3	
	750	750	40.8	519.5	
1.5:1	1500	1000	56.5	539.6	
	1000	667	41.2	590.2	
	750	500	33	630.3	
2:1	1500	750	43.2	550.1	
	1000	500	31.4	599.7	
	750	375	25.2	641.8	
3:1	1500	500	27.7	529.1	
	1000	333	20	573	

	750	250	15.7	599.7
4:1	1500	375	18.5	471.1
	1000	250	13.4	511.9
	750	188	10.4	529.7
5:1	1500	300	12.7	404.3
	1000	200	9	429.8
	750	150	6.95	442.5

### SJV240 Miter Gearbox Specifications:

Gear Ratio	Input speed( rpm)	Output speed( rpm )	Power (KW )	Torque (N.m )	Weight (kg )
1:1	1500	1500	90.5	576.2	115
	1000	1000	68	649.4	
	750	750	54.5	694	
1.5:1	1500	1000	75.5	721	
	1000	667	55.5	795	
	750	500	44.5	850	
2:1	1500	750	58.5	744.9	
	1000	500	41.9	800.3	
	750	375	33.8	860.8	
3:1	1500	500	41.9	800.3	
	1000	333	30.2	865.2	
	750	250	23.6	901.5	
4:1	1500	375	30.2	769.1	
	1000	250	21.7	828.9	
	750	188	17.1	871	
5:1	1500	300	23.4	744.9	
	1000	200	16.4	783.1	
	750	150	13	827.7	

### SJV280 Miter Gearbox Specifications:

Gear Ratio	Input speed( rpm)	Output speed( rpm )	Power (KW )	Torque (N.m )	Weight (kg )
1:1	1500	1500	156	993.2	115
	1000	1000	115	1098	
	750	750	94.2	1199	
1.5:1	1500	1000	103	983.7	
	1000	667	75.5	1082	
	750	500	60.5	1156	
2:1	1500	750	88	1121	
	1000	500	64.5	1232	
	750	375	51	1299	
3:1	1500	500	58.5	1117	
	1000	333	42.4	1215	
	750	250	33.5	1280	
4:1	1500	375	38.5	980.5	
	1000	250	27.5	1051	
	750	188	21.7	1105	
5:1	1500	300	31.4	999.6	
	1000	200	22.4	1070	
	750	150	17.7	1127	

# SJV280 Miter Gearbox Ordering Information:

SJV280 - 1:1 - 1500R - 1500R - I-LR - A

1            2            3            4            5            6

## 1: Gearbox model

SJV90, SJV110, SJV140, SJV170, SJV210, SJV240, SJV280.

## 2: Gear Ratio

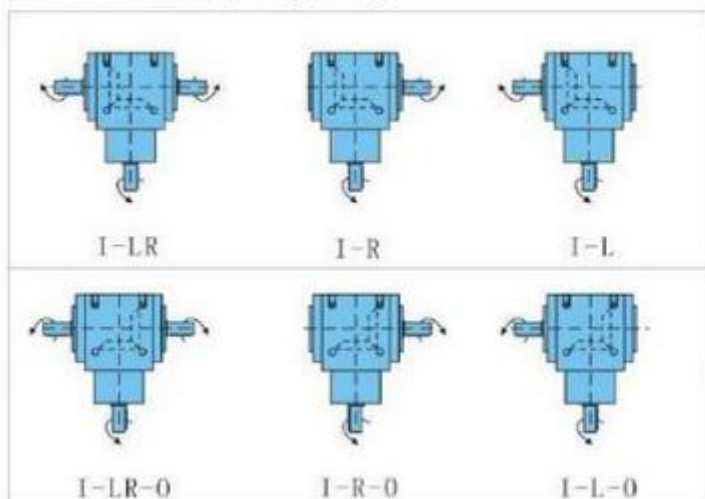
Gear ratios such as 1:1, 1.5:1, 2:1, 3:1, 4:1, 5:1, custom other gear ratios.

## 3 & 4. Input & Output RPM

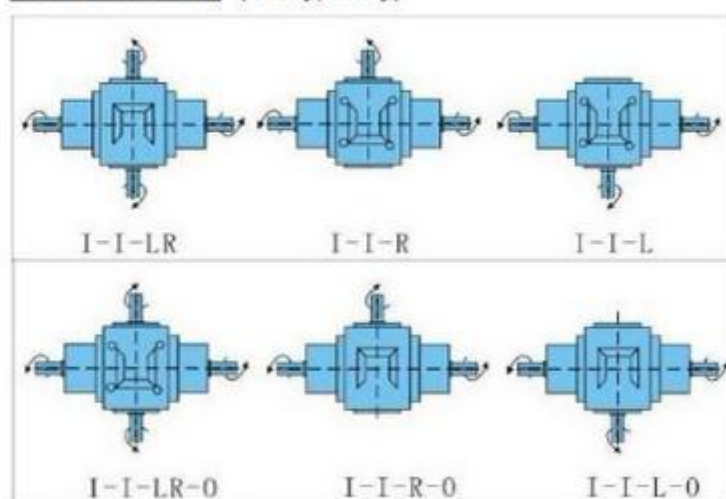
Input speed	1500rpm	1000rpm	750rpm	500rpm	250rpm	50rpm
Gear Ratio	1:1					
Output speed	1500rpm	1000rpm	750rpm	500rpm	250rpm	50rpm
Gear Ratio	1.5:1					
Output speed	1000rpm	667rpm	500rpm	333rpm	167rpm	33rpm
Gear Ratio	2:1					
Output speed	750rpm	500rpm	375rpm	250rpm	125rpm	25rpm
Gear Ratio	3:1					
Output speed	500rpm	333rpm	250rpm	167rpm	83rpm	17rpm
Gear Ratio	4:1					
Output speed	375rpm	250rpm	187rpm	125rpm	62.5rpm	12.5rpm
Gear Ratio	5:1					
Output speed	300rpm	200rpm	150rpm	100rpm	50rpm	10rpm

## 5: Rotate directions:

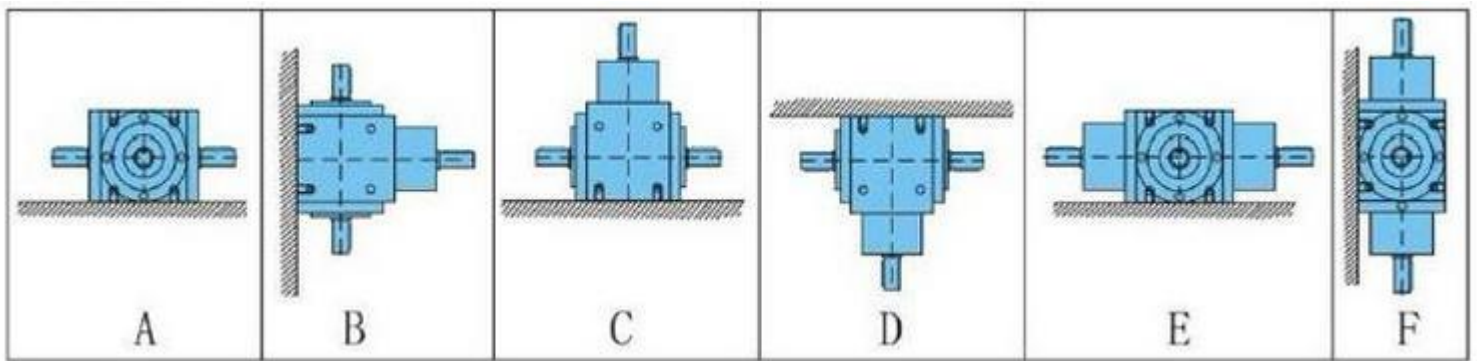
### Rotate Directions (2 way,3 way)



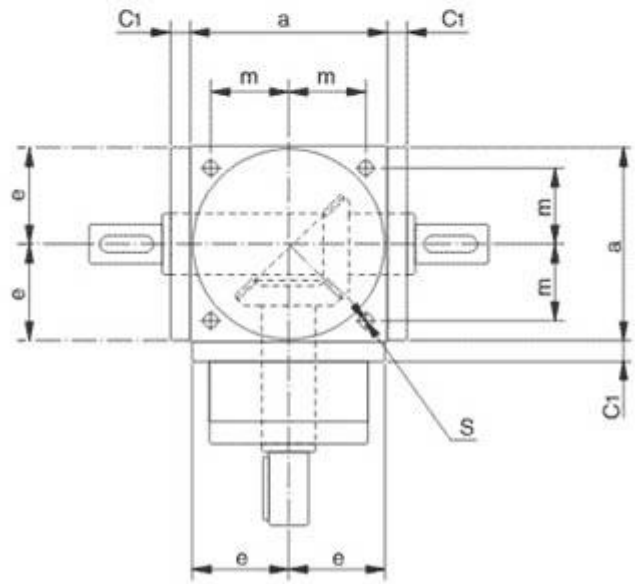
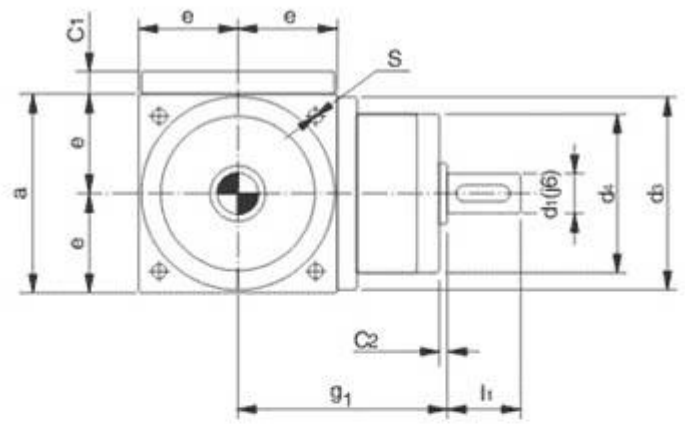
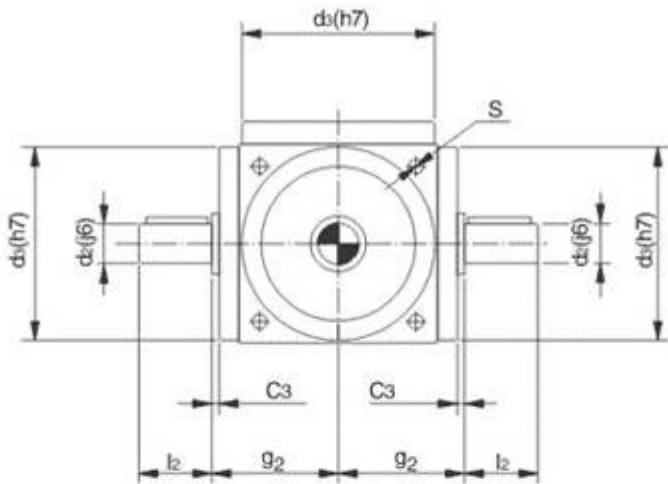
### Rotate Directions (3 way,4 way)



## 6: Installation:

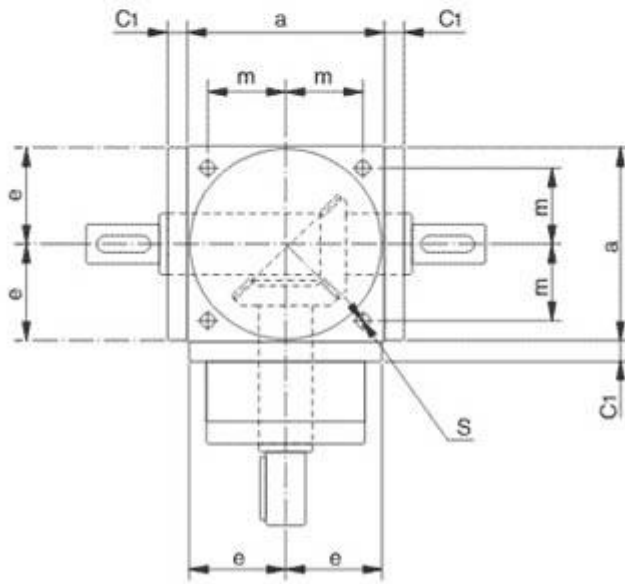
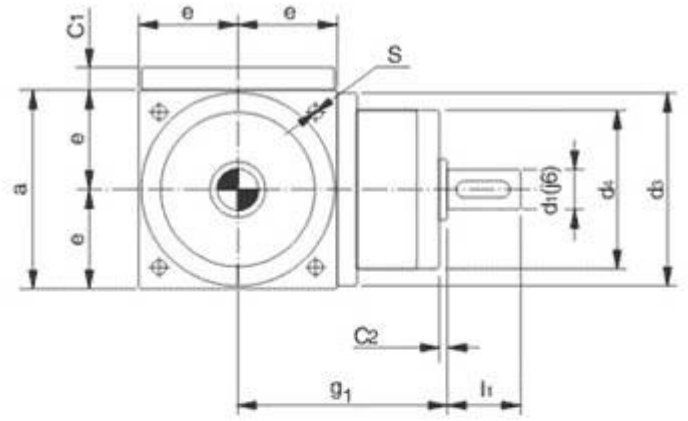
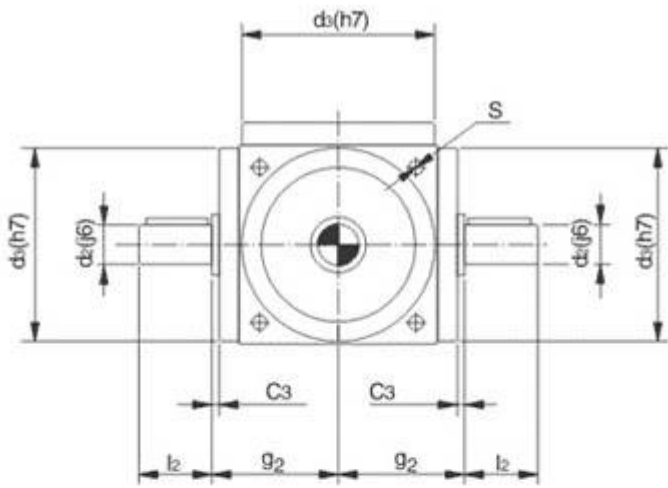


**SJV90 Miter Gearbox Dimensions**



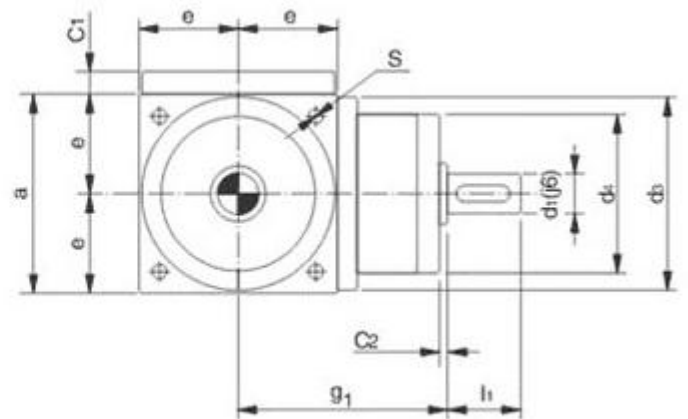
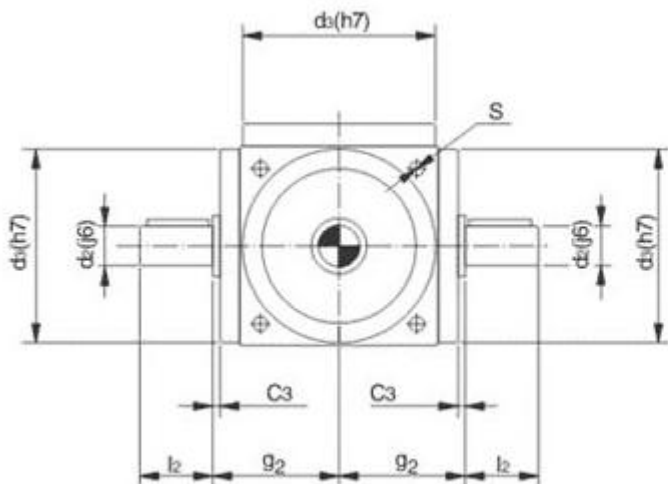
a	C1	C2	C3	d2	l2	d3	e	g1	g2	m	s	i=1-2		i=3		i=4		i=5		i=1-3	i=4-5
												d1	l1	d1	l1	d1	l1	d1	l1	d4	d4
90	12	2	2	18	35	88	45	97	59	36	M6	18	35	16	30	11	23	11	23	72	62

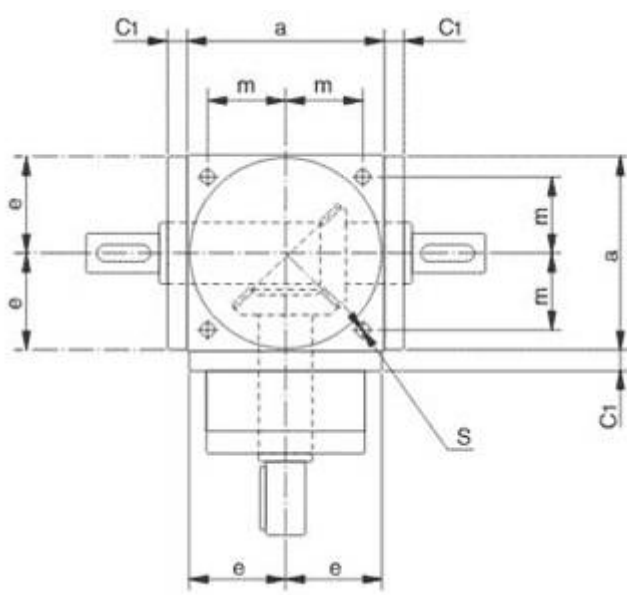
**SJV110 Miter Gearbox Dimensions:**



a	C1	C2	C3	d2	l2	d3	e	g1	g2	m	s	i=1-2		i=3		i=4		i=5		i=1-3	i=4-5
												d1	l1	d1	l1	d1	l1	d1	l1	d4	d4
110	12	2	2	22	40	108	55	112	69	44	M8	22	40	20	35	16	30	14	25	81	72

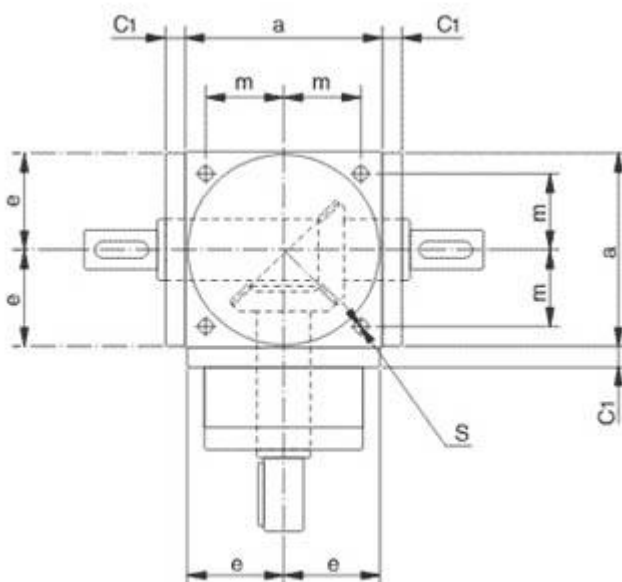
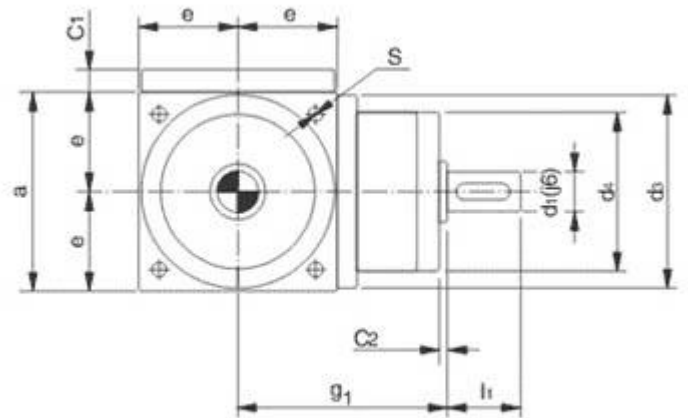
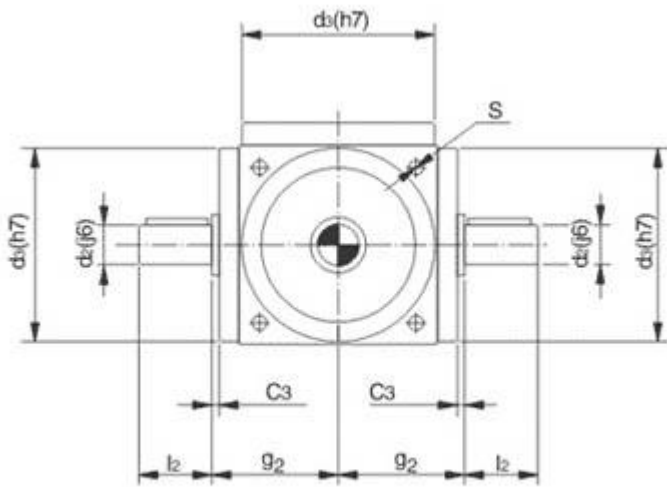
**SJV140 Miter Gearbox Dimensions:**





a	C1	C2	C3	d2	l2	d3	e	g1	g2	m	s	i=1-2		i=3		i=4		i=5		i=1-3	i=4-5
												d1	l1	d1	l1	d1	l1	d1	l1	d4	d4
140	15	2	2	32	50	135	70	157	84	55	M10	32	50	26	45	20	35	16	30	98	81

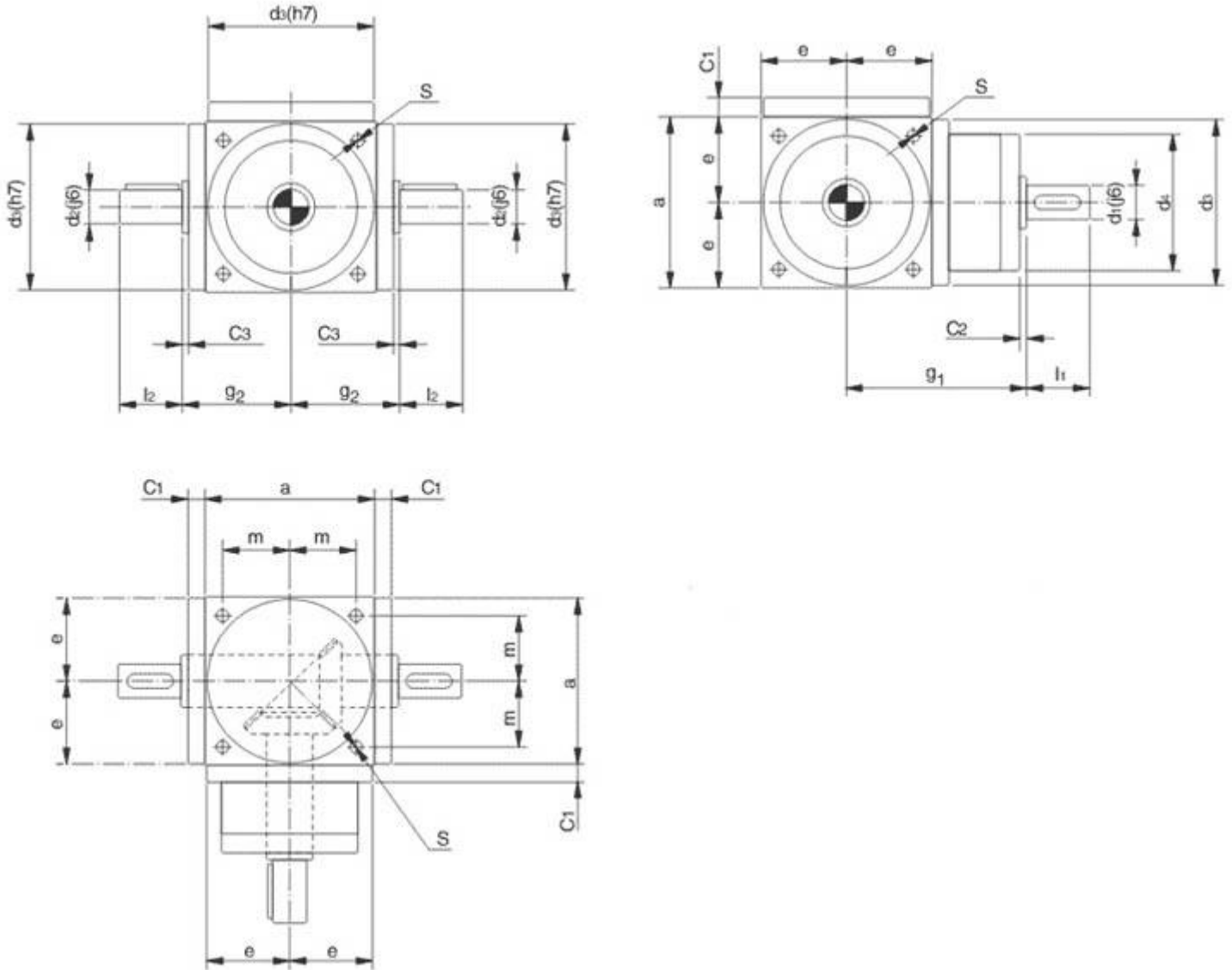
**SJV170 Miter Gearbox Dimensions:**





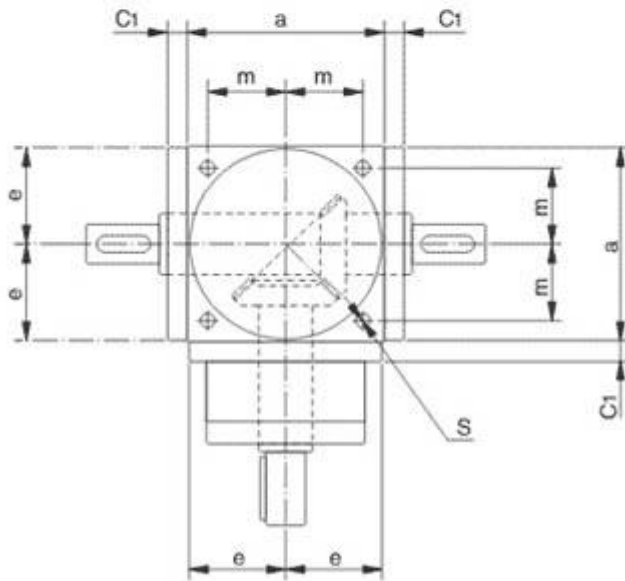
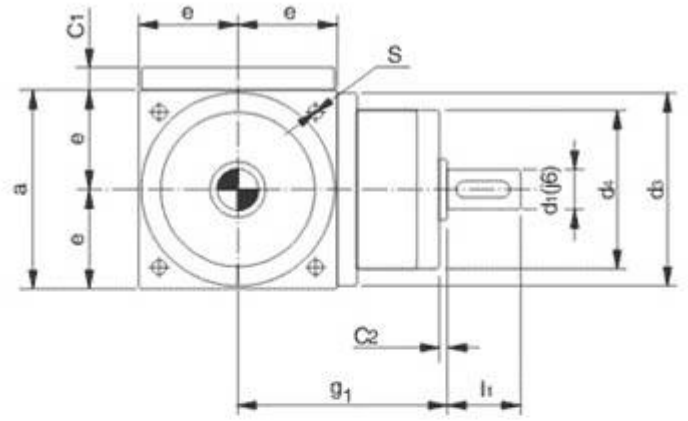
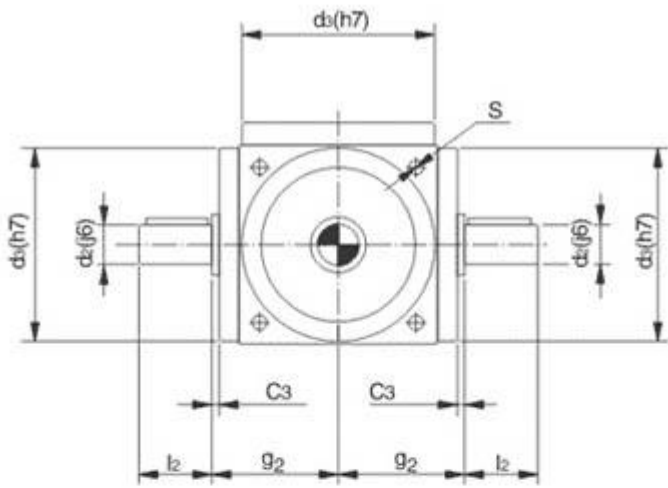
a	C1	C2	C3	d2	l2	d3	e	g1	g2	m	s	i=1-2		i=3		i=4		i=5		i=1-3	i=4-5
												d1	l1	d1	l1	d1	l1	d1	l1	d4	d4
170	15	2	3	40	60	165	85	181	103	67	M12	40	60	32	50	26	45	22	40	118	98

**SJV210 Miter Gearbox Dimensions:**



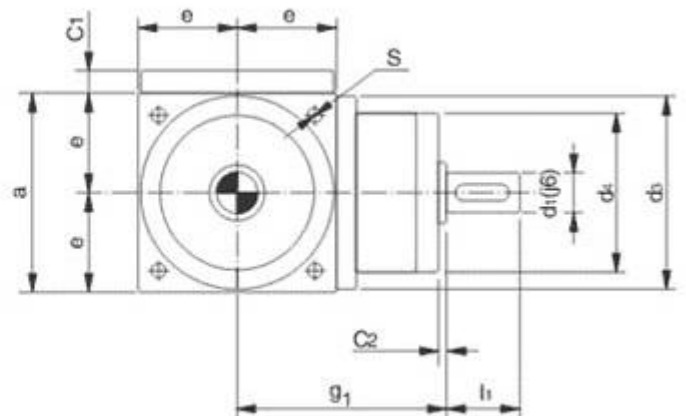
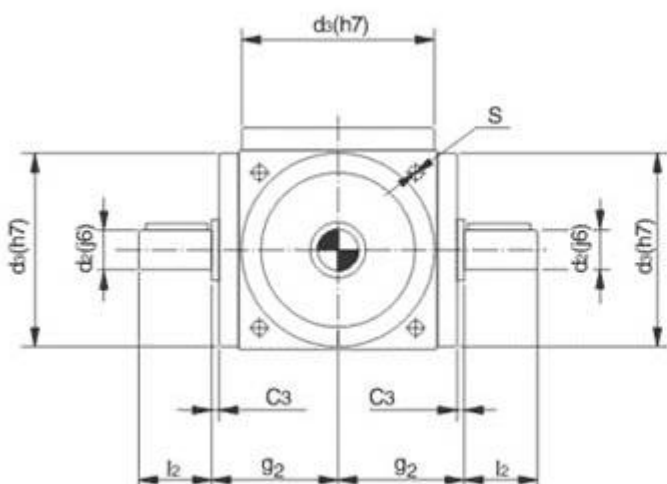
a	C1	C2	C3	d2	l2	d3	e	g1	g2	m	s	i=1-2		i=3		i=4		i=5		i=1-3	i=4-5
												d1	l1	d1	l1	d1	l1	d1	l1	d4	d4
210	20	2	2	45	70	205	105	230	130	85	M16	45	70	45	70	32	50	30	50	128	110

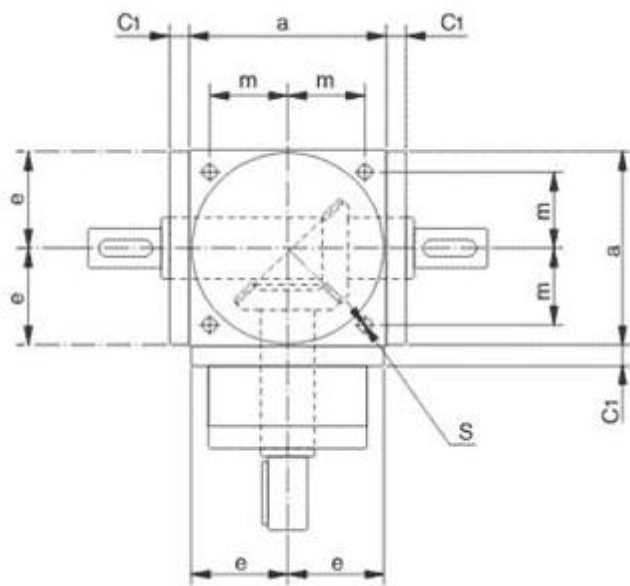
**SJV240 Miter Gearbox Dimensions:**



a	C1	C2	C3	d2	l2	d3	e	g1	g2	m	s	i=1-2		i=3		i=4		i=5		i=1-3		i=4-5	
												d1	l1	d1	l1	d1	l1	d1	l1	d4	d4		
240	22	2	2	48	85	235	120	280	145	95	M16	48	85	48	65	38	55	35	55	138	120		

**SJV280 Miter Gearbox Dimensions:**





a	C1	C2	C3	d2	l2	d3	e	g1	g2	m	s	i=1-2		i=3		i=4		i=5		i=1-3	i=4-5
												d1	l1	d1	l1	d1	l1	d1	l1	d4	d4
280	22	2	2	60	110	275	140	280	160	110	M16	60	110	50	80	45	70	42	70	150	135